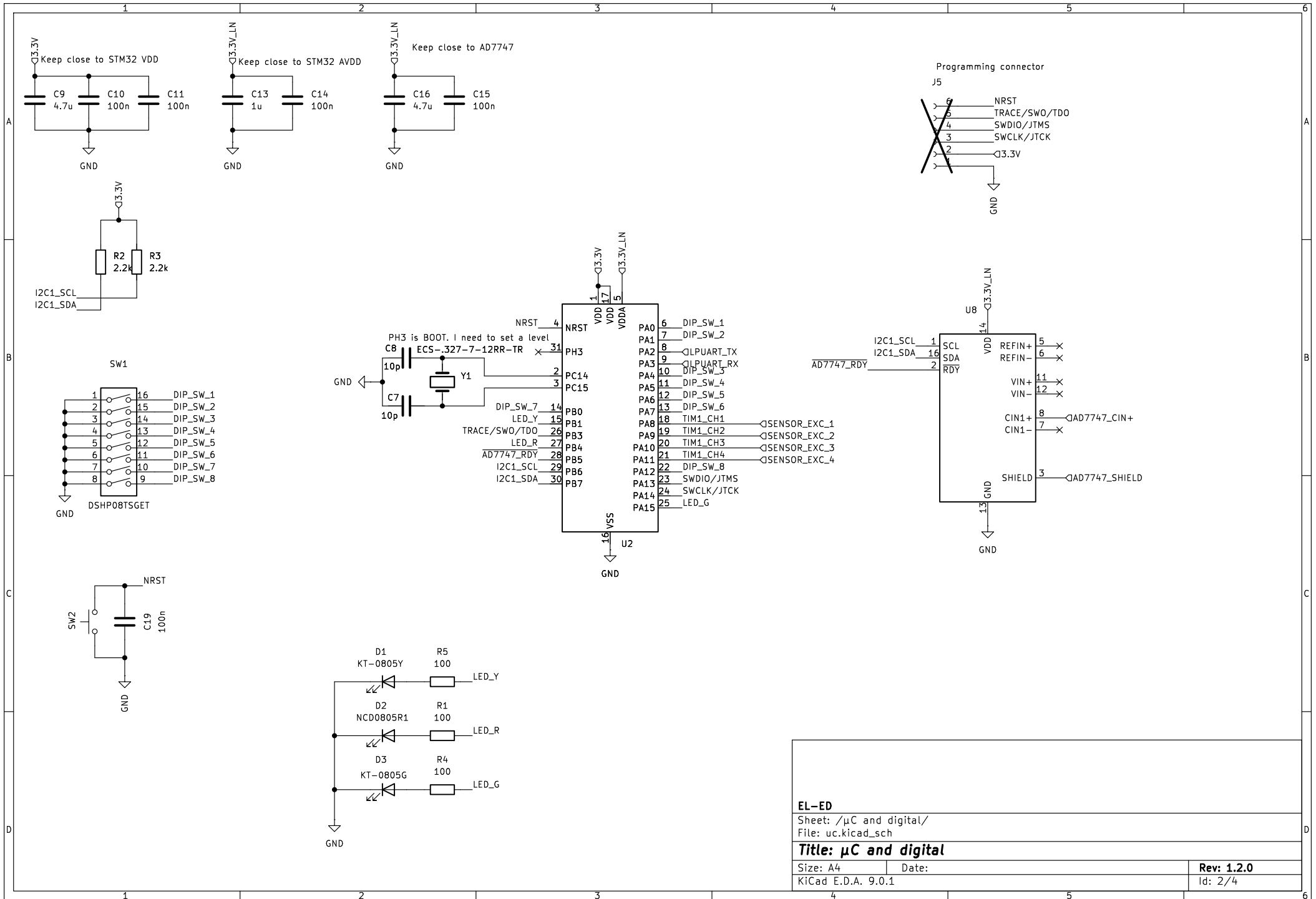
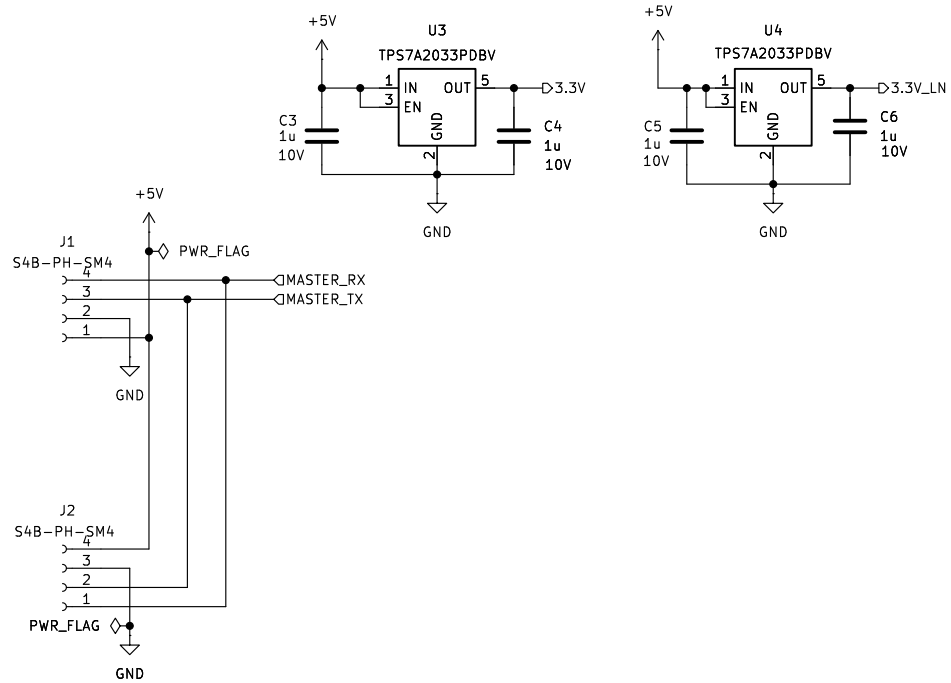


<b>EL-ED</b>	
Sheet: /	
File: wall_moisture-hardware.kicad_sch	
<b>Title: Wall Moisture Sensor – WMS1</b>	
Size: A4	Date:
KiCad E.D.A. 9.0.1	Rev: 1.2.0
	Id: 1/4



<b>EL-ED</b>	
Sheet: / $\mu$ C and digital/	
File: uc.kicad_sch	
<b>Title: <math>\mu</math>C and digital</b>	
Size: A4	Date:
KiCad E.D.A. 9.0.1	<b>Rev: 1.2.0</b>
	Id: 2/4



**EL-ED**

Sheet: /Connectors and Power/  
 File: connectors.kicad\_sch

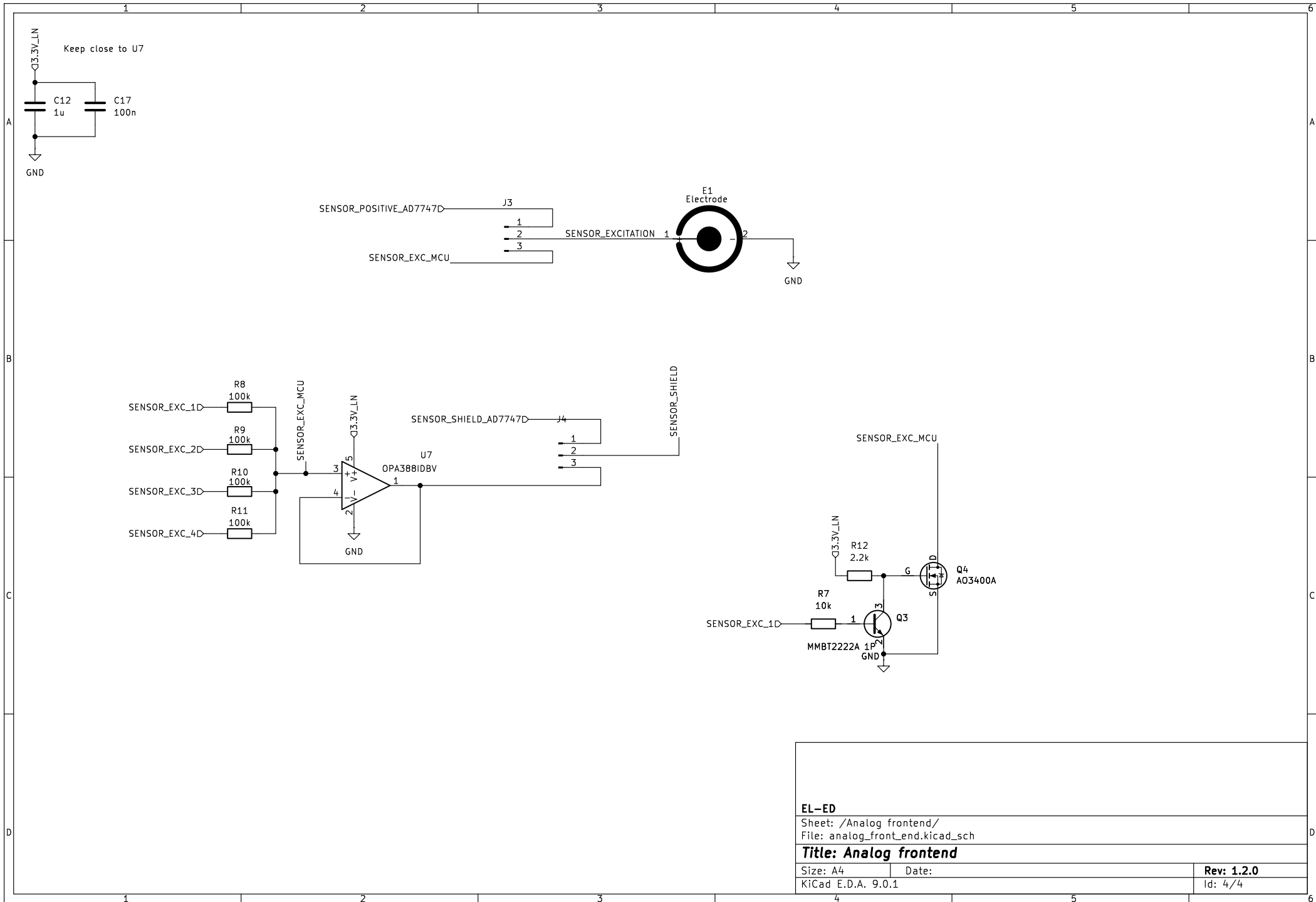
**Title: Connectors and Power**

Size: A4  
 KiCad E.D.A. 9.0.1

Date:

**Rev: 1.2.0**

Id: 3/4



<b>EL-ED</b>	
Sheet: /Analog frontend/ File: analog_front_end.kicad_sch	
<b>Title: Analog frontend</b>	
Size: A4	Date:
KiCad E.D.A. 9.0.1	Rev: 1.2.0 Id: 4/4