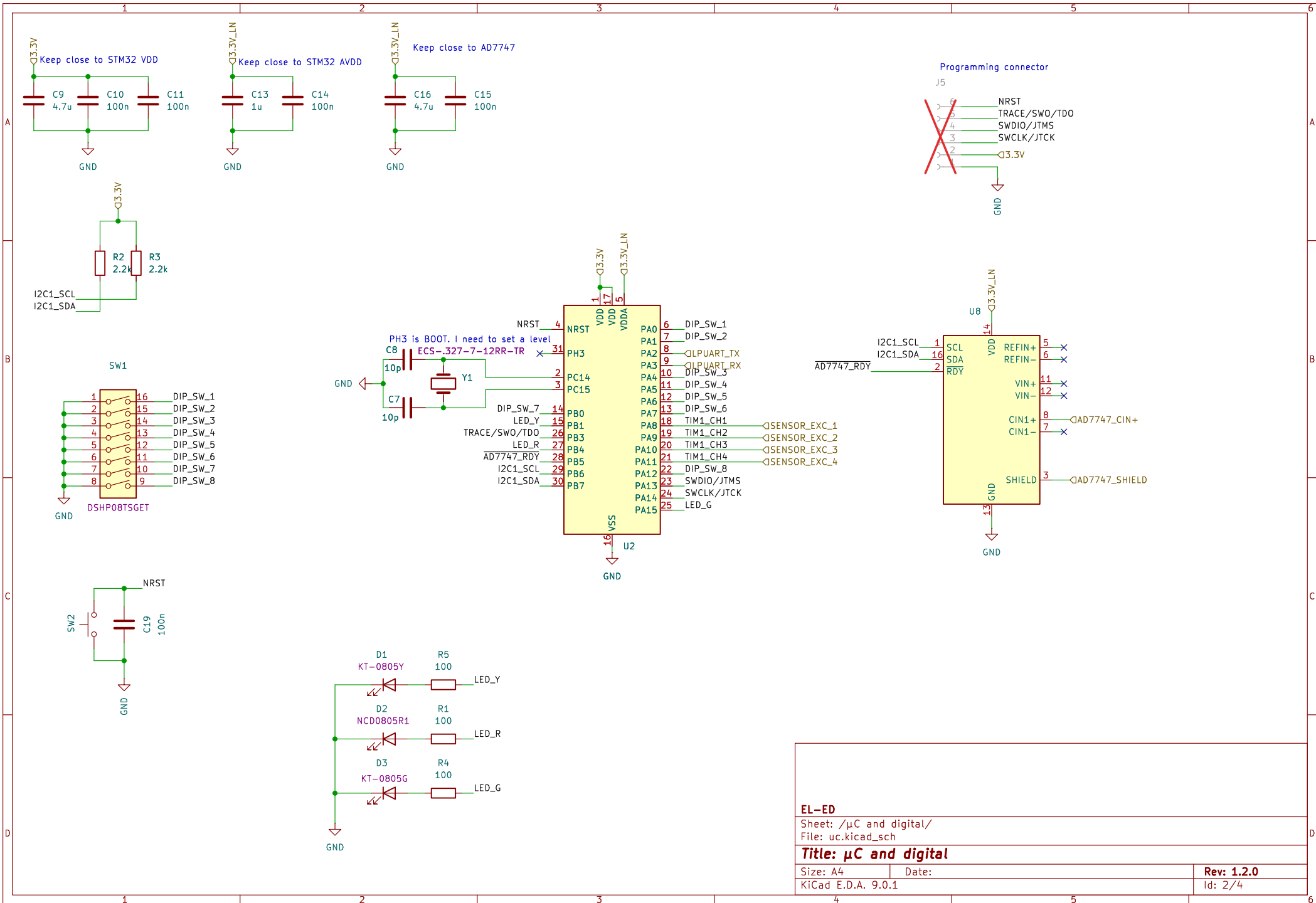
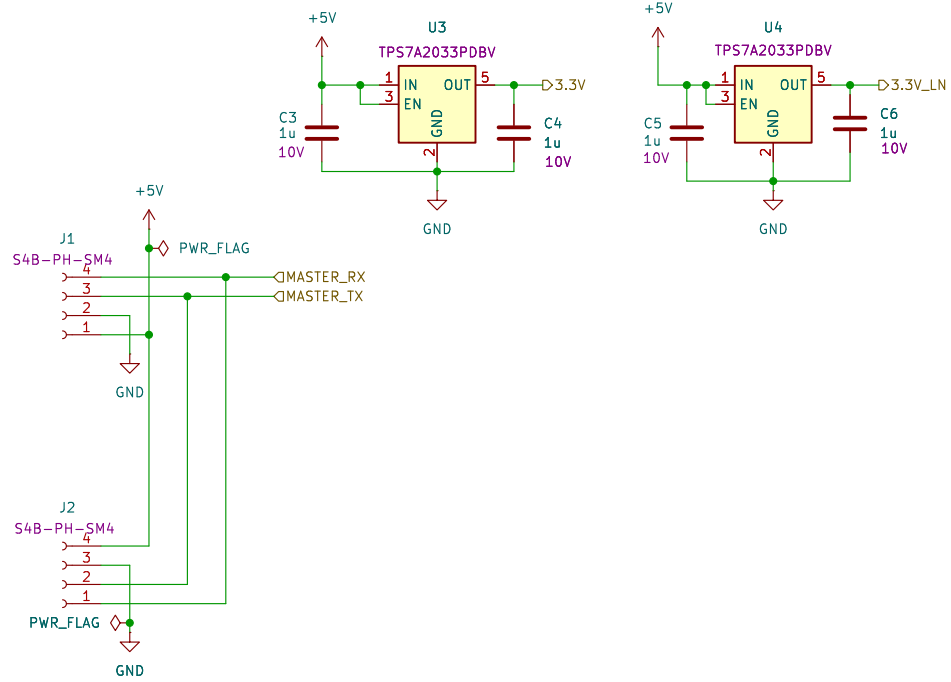


| | | |
|-------------------------------------------|-------|-------------------|
| EL-ED | | |
| Sheet: / | | |
| File: wall_moisture-hardware.kicad_sch | | |
| Title: Wall Moisture Sensor – WMS1 | | |
| Size: A4 | Date: | Rev: 1.2.0 |
| KiCad E.D.A. 9.0.1 | | Id: 1/4 |



| | |
|---------------------------------------------|------------|
| EL-ED | |
| Sheet: / μ C and digital/ | |
| File: uc.kicad_sch | |
| Title: μC and digital | |
| Size: A4 | Date: |
| KiCad E.D.A. 9.0.1 | Rev: 1.2.0 |
| | Id: 2/4 |



EL-ED

Sheet: /Connectors and Power/
 File: connectors.kicad_sch

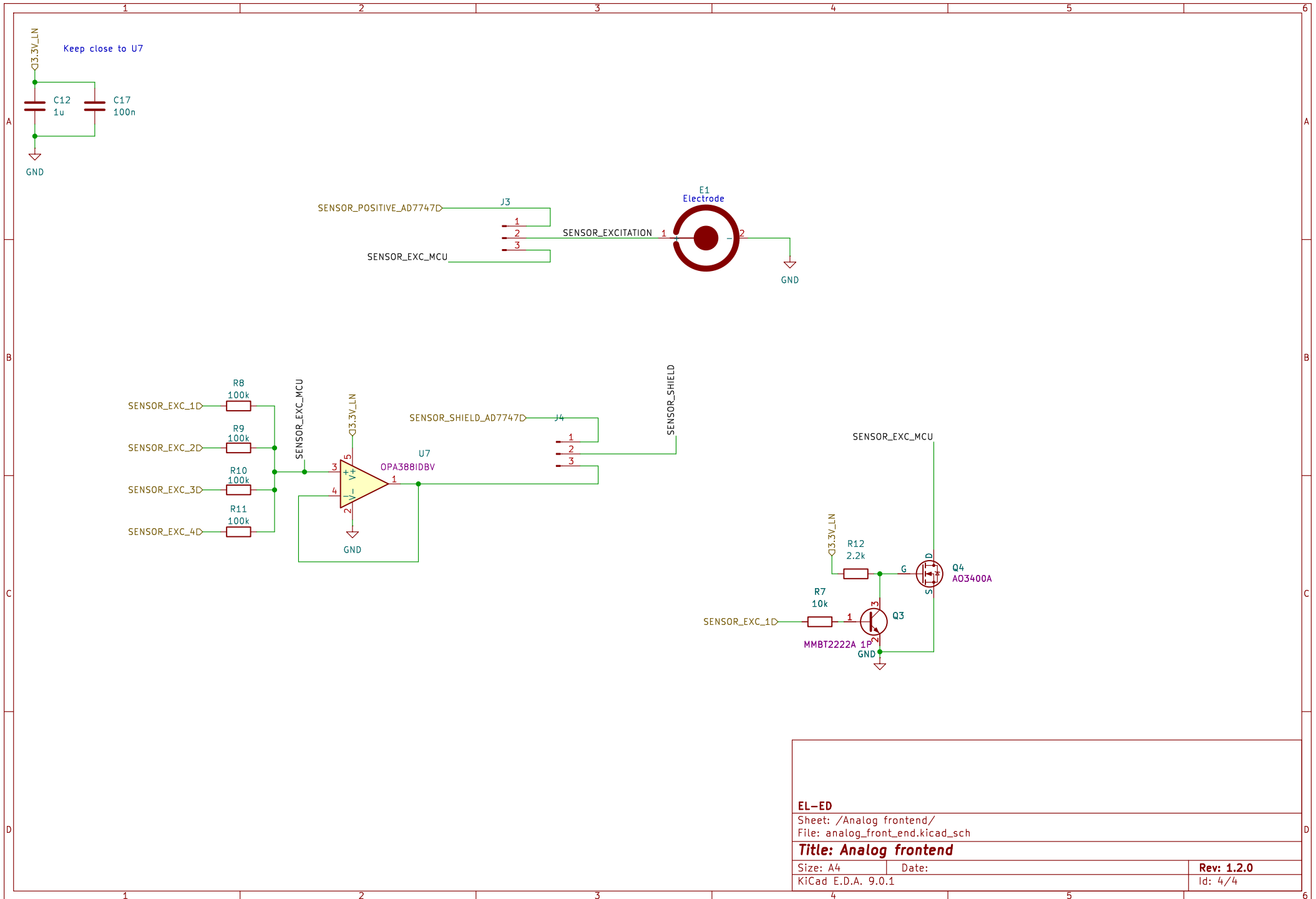
Title: Connectors and Power

Size: A4
 KiCad E.D.A. 9.0.1

Date:

Rev: 1.2.0

Id: 3/4



| | |
|--------------------------------------------------------------|------------------------------|
| EL-ED | |
| Sheet: /Analog frontend/ File: analog_front_end.kicad_sch | |
| Title: Analog frontend | |
| Size: A4 | Date: |
| KiCad E.D.A. 9.0.1 | Rev: 1.2.0 Id: 4/4 |