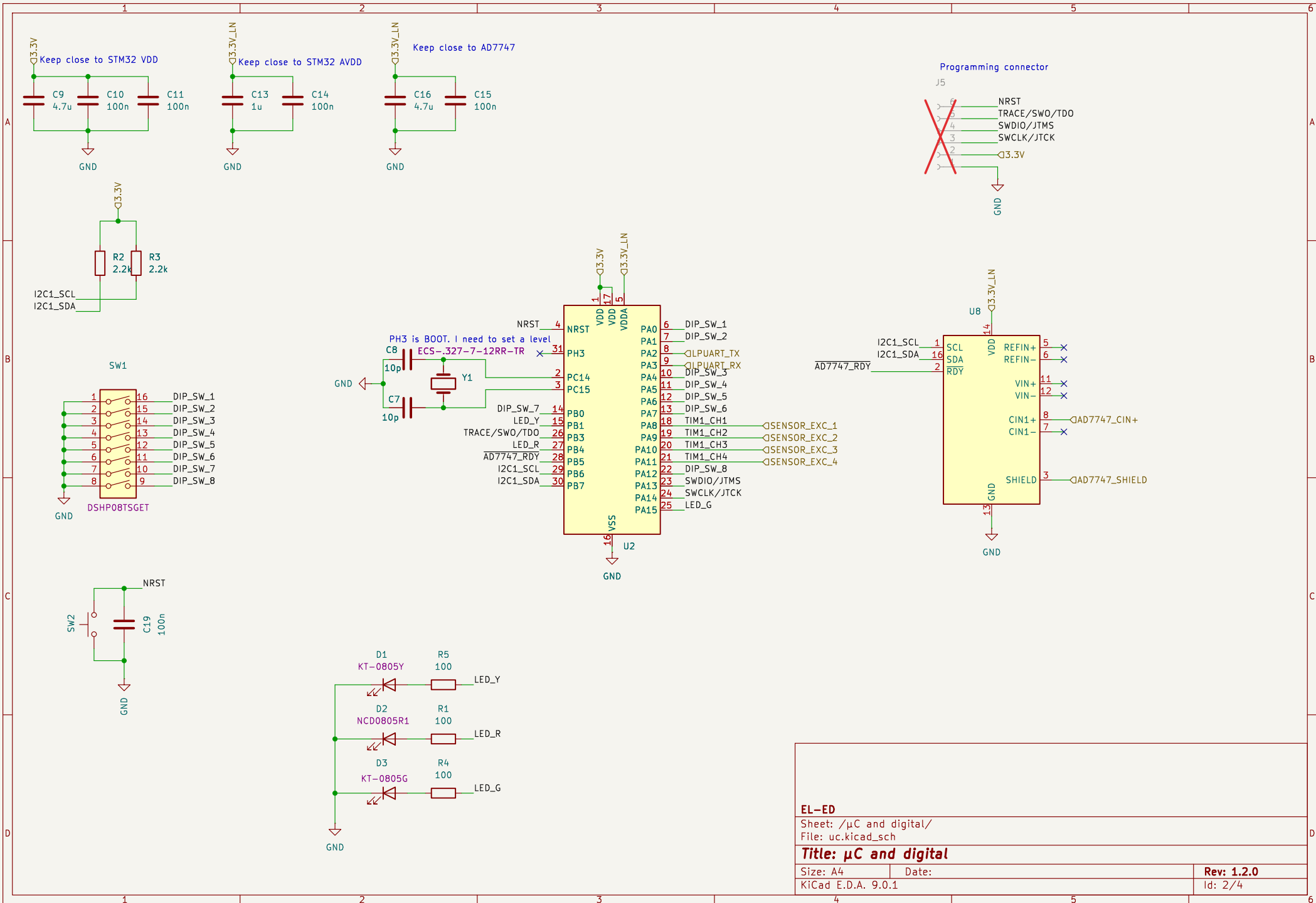


EL-ED		
Sheet: /		
File: wall_moisture-hardware.kicad_sch		
Title: Wall Moisture Sensor – WMS1		
Size: A4	Date:	Rev: 1.2.0
KiCad E.D.A. 9.0.1		Id: 1/4



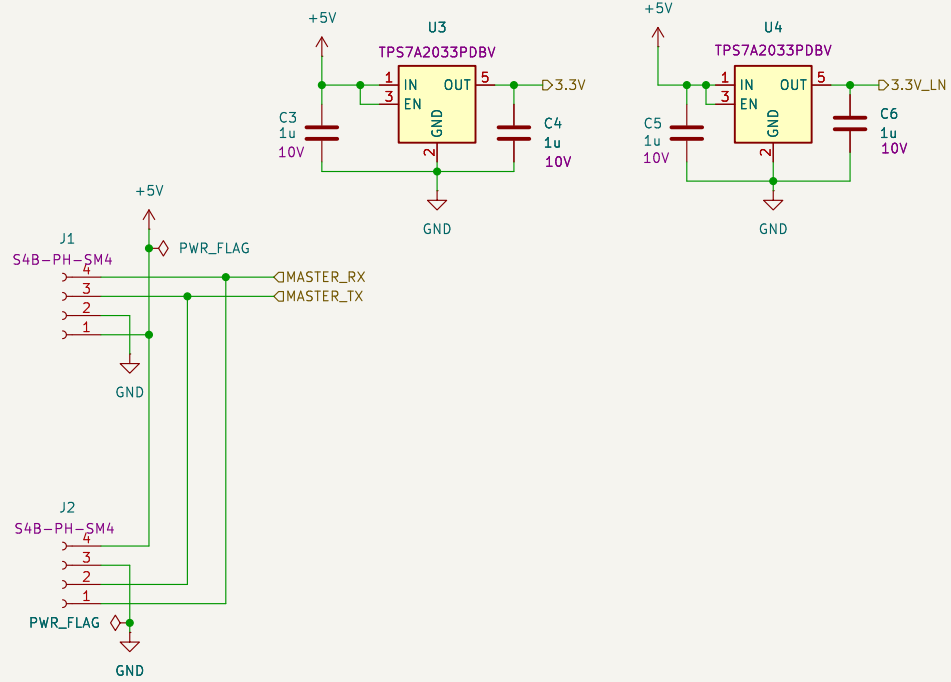
EL-ED

Sheet: /μC and digital/
File: uc.kicad_sch

Title: μC and digital

Size: A4
KiCad E.D.A. 9.0.1

Date:
Rev: 1.2.0
Id: 2/4



EL-ED

Sheet: /Connectors and Power/
File: connectors.kicad_sch

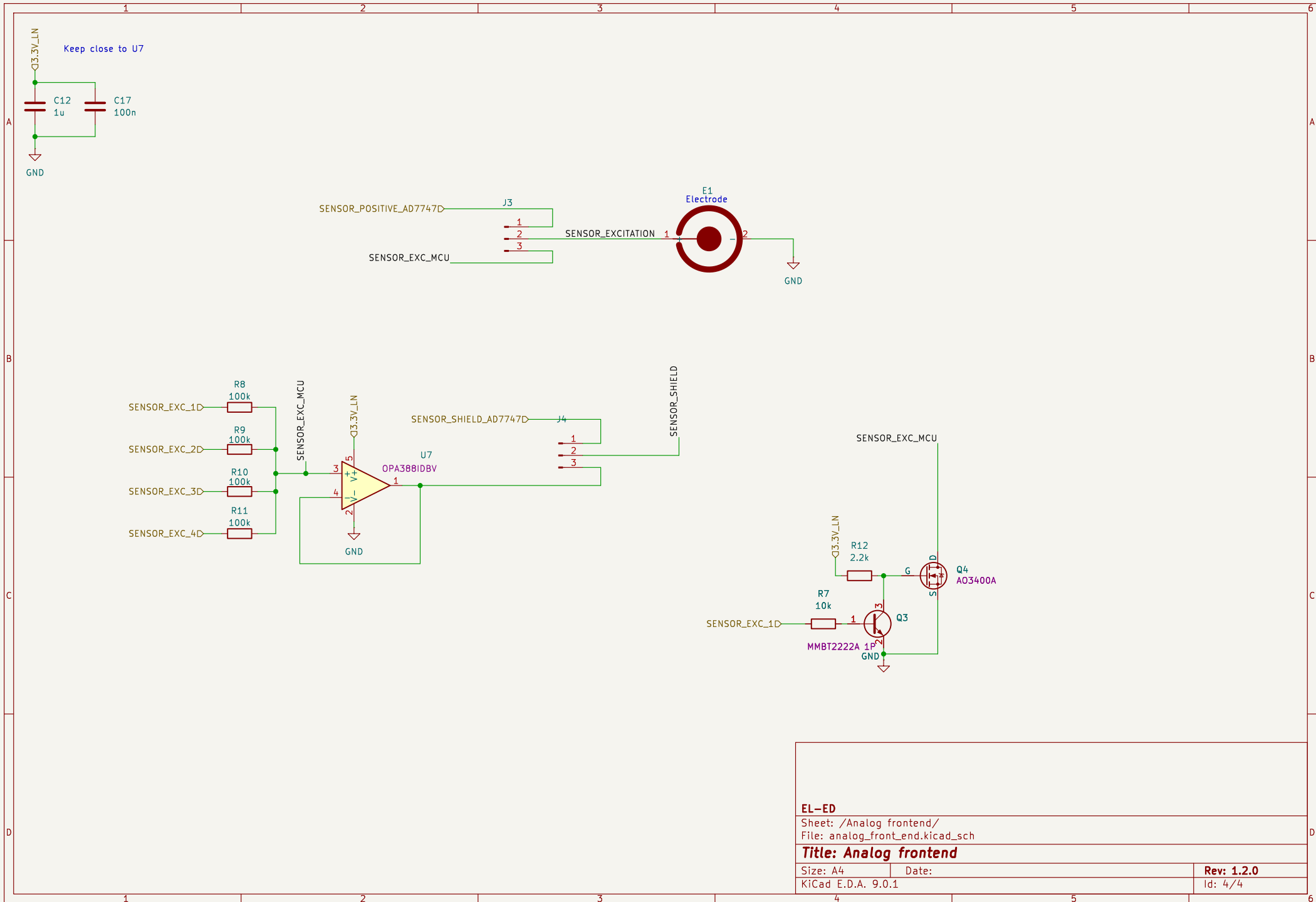
Title: Connectors and Power

Size: A4
KiCad E.D.A. 9.0.1

Date:

Rev: 1.2.0

Id: 3/4



EL-ED	
Sheet: /Analog frontend/ File: analog_front_end.kicad_sch	
Title: Analog frontend	
Size: A4	Date:
KiCad E.D.A. 9.0.1	Rev: 1.2.0 Id: 4/4